



**MEGA**  
DETECTION  
METAL DETECTION TECHNOLOGY

[www.Megalocators.com](http://www.Megalocators.com)

3

## SEARCH SYSTEMS

- Most Powerful 3D Ground Scanner
- Complete Solution for Professional Treasure Hunters
- Unearth All Buried Deep Treasures Visually
- New Detection Technologies: M.G.S, V.S.T
- 3D & 2D Result Visualization on Screen or Tablet
- Multi Visual Analyzer app for Android Tablets
- Multilingual Easy to Use Software Program

**GMI** MEGA  
Geophysical Measuring Instruments

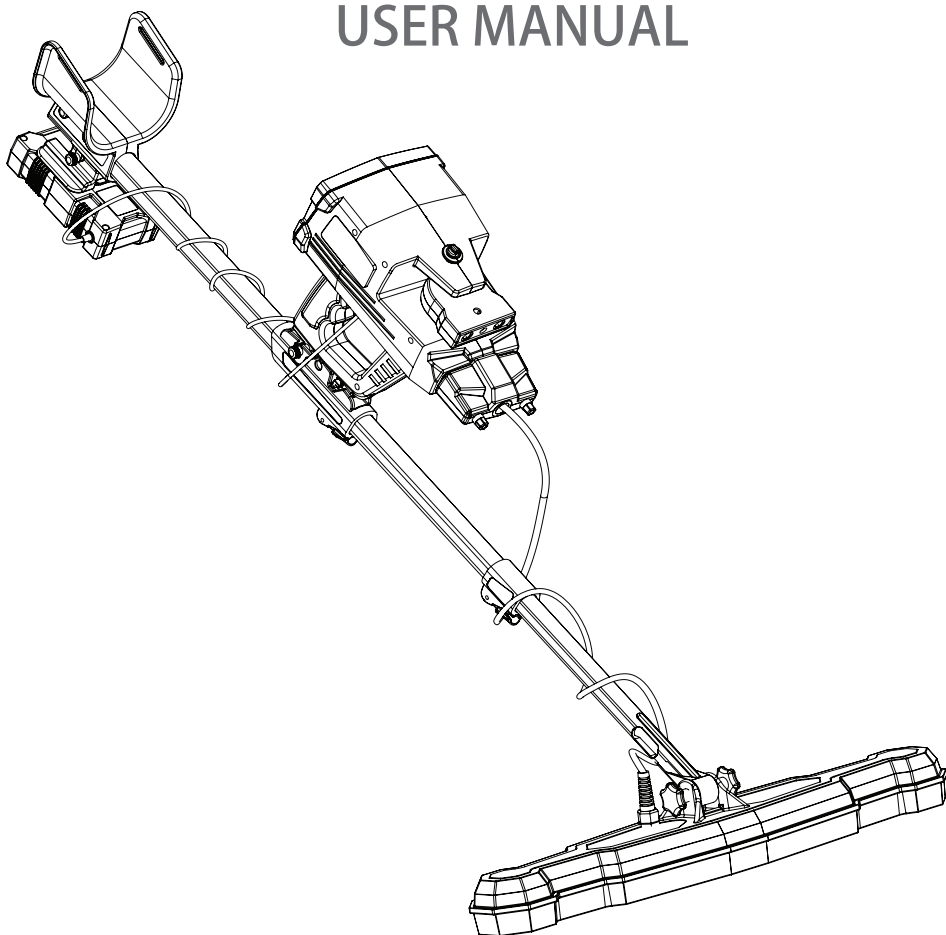
- Visual exploration of all Deep buried treasures
- All in one device to meet the needs of all treasure hunters

**Complete Set of Detection Tools for Professional Treasure Hunters**

**PHOENIX**

# **PHOENIX**

## USER MANUAL



## List of contents

Contents . . . . .	2
Warnings . . . . .	3
Property rights . . . . .	4
Introduction . . . . .	5
Package Contents . . . . .	6
Overview . . . . .	8
Assembly (V.S.T) . . . . .	9
Assembly (Ground Scan) . . . . .	10
Assembly (Stack Holder). . . . .	11
Panel Keys . . . . .	14
Settings . . . . .	15
Ground Scan System . . . . .	21
Scan Files . . . . .	26
Live Stream System . . . . .	29
Pin Pointer System . . . . .	32
Multi Visual Analyzer . . . . .	34
Customer Services . . . . .	39
Technical Specification . . . . .	40



Do not assemble and operate the device before reading the user manual.

---



The device may only be dismantled or repaired by MEGA DETECTION GmbH or its authorized service centers. Unauthorized disassociation / infiltration of the internal components of the main monitor or other units for any reason cancels the warranty.

---



Do not store the device and its components under extremely low or high temperatures for long periods (the preferred storage temperature is  $-20^{\circ}\text{C}$  to  $60^{\circ}\text{C}$  /  $-4^{\circ}\text{F}$  to  $140^{\circ}\text{F}$ ).

---



Do not use the device indoors. The device may constantly give target signals indoors as there are many metals. Use the device outdoors, in open fields.

---



Do not submerge the device or its accessories in water. Do not expose the equipment to excessively moist environments.

---



Do not leave another detector or electromagnetic device close to the device (within a distance of less than 10 meters by 30 feet)

---



Protect the main unit of the device from impacts during normal use. For transportation, place the detector carefully in the original carton and secure with shock-resistant packaging.

---



Keep the device out of your shoes while walking. The device may detect minerals on you or inside your shoes as targets.

---



No part of this guide may be reproduced, including the products and programs described in it. Any use of material, reproduction, storage or translation of this information without prior permission from MEGA DETECTION GmbH is subject to legal liability of its owner.

MEGA DETECTION invites all users to ensure that the acquisition and use of this type of equipment complies with the laws and regulations of the countries in use and is not responsible for the legal consequences if the laws state otherwise.

MEGA DETECTION does not bear in all cases or any of its directors, officials, employees, and authorized agents indirect, special, incidental, or consequential damages (including damages for interest loss, business loss, loss of use or data, business interruption and the like), even if the company was notified of the possibility of such damages arising from any defect or error in this manual or product.

The specifications and information contained in this guide are published for information use only and are subject to update periodically at any time without notice to the user.

The products and company names that appear in this guide may be registered trademarks and copyrights are reserved for the related companies and mentioning them here is used only for identification and for the benefit of the owner, without intentionally infringing on the property rights of these companies.

MEGA DETECTION is not responsible for misunderstanding this manual or misusing the device in violation of the instructions in this guide.



Copyright © Mega Detection (© 2021 All Rights Reserved)



It is the latest release of Mega Detection. The comprehensive imaging ground scanner and it is the first device in the world to include all imaging scanning technologies in one device, through three different search systems.

The Phoenix device includes a completely new technology to scan the ground via the MGS multi-ground scanner and the VST high-signal transmitter and receiver probe, which provide professional surveying tools to scan the ground to large depths accurately and quickly with visual representation of the scanning results on the device screen or via the Multi Visual Analyzer's application on the tablet.

The Phoenix device, via scanning tools and built-in search systems, is a versatile device with which it can search for gold treasures and burials at great depths, excavate antiquities, detect all kinds of minerals, as well as detect voids, tunnels and caves.

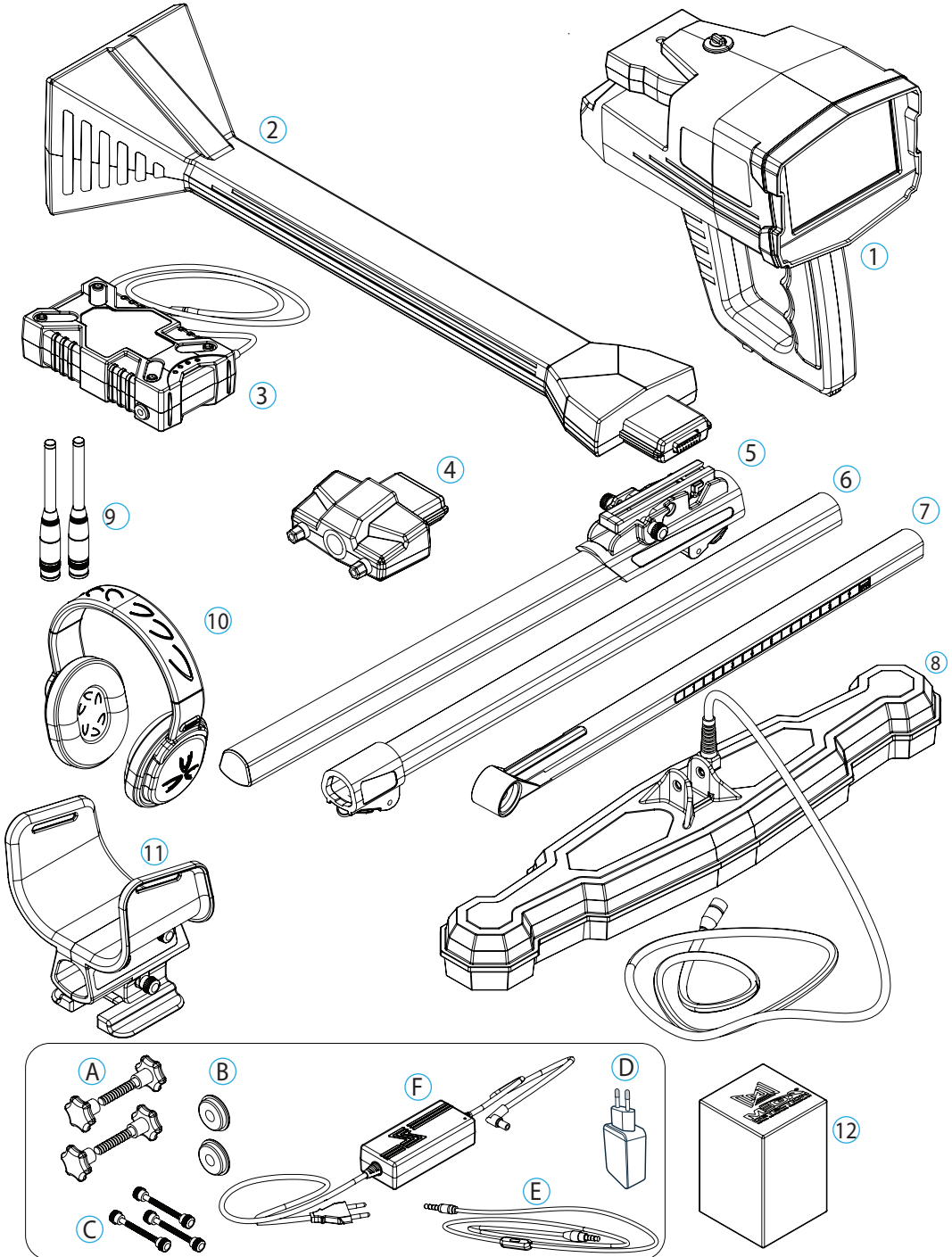
Ground Scan System

Live Stream System

Pin Pointer System

Thank you for choosing the Phoenix product from Mega Detection. For more information, you can visit our website.

# PACKAGE CONTENT



1	Main unit
2	V.S.T Sensor
3	Lithium-Ion Battery
4	Conector Base
5	Higher Stick (Shaft)
6	Medium Stick (Shaft)
7	Lower Stick (Shaft)
8	M.G.S 60 Scanner
9	Long-Range Antennas ( x2 )
10	Headphones
11	Armrest (Holder)
12	Accessories Box including:
	A. M.G.S Screw and Nut (x2)
	B. Washer for Plastic Stick (Shaft)
	C. Armrest (Holder) Screws (Spare Parts)
	D. Universal Power Adapter
	E. Headphones Cable
	F. Battery Charger (220V)



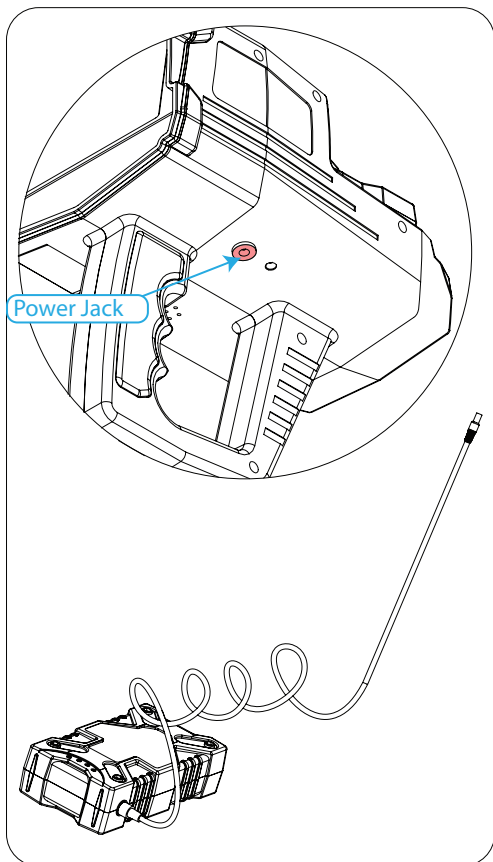
GROUND SCAN SYSTEM



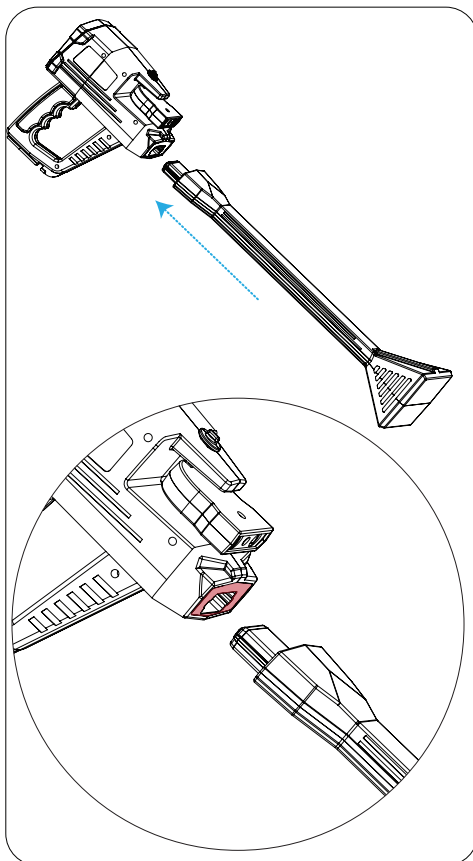
LIVE STREAM SYSTEM  
PIN POINTER SYSTEM



## Live Stream System Pin Pointer System

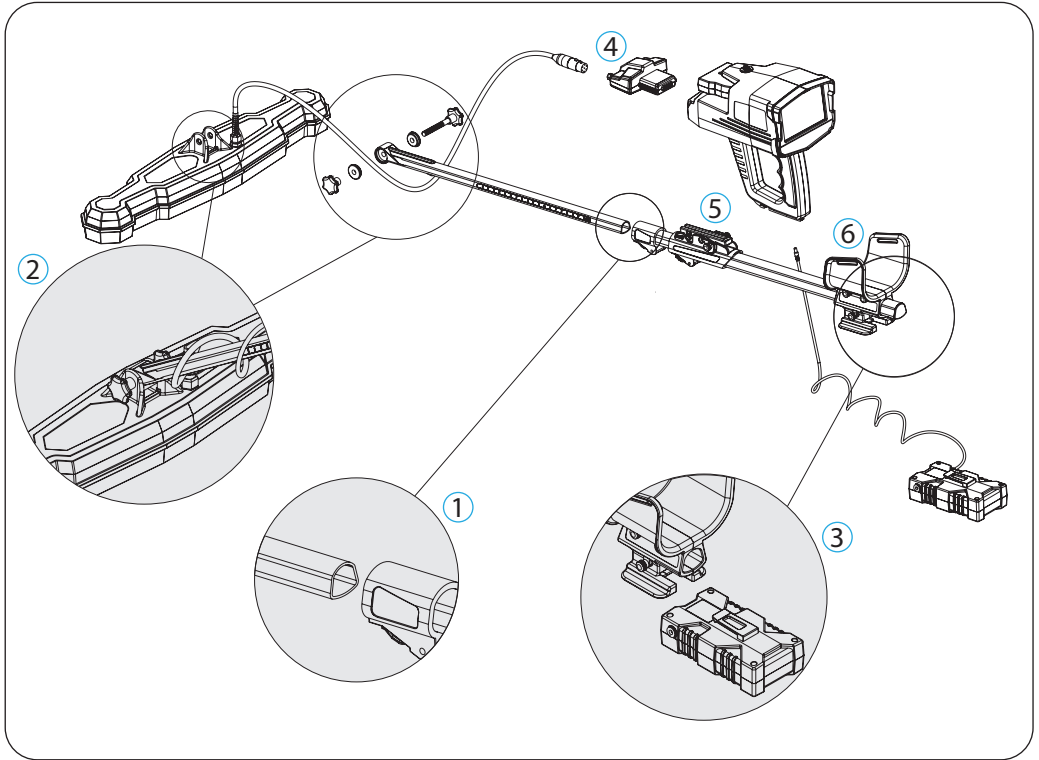


**2** Use the power jack to connect the battery



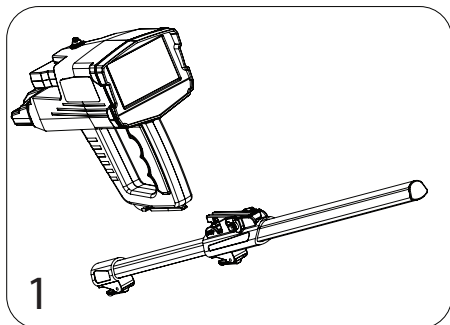
**1** Connect V.S.T Sensor to the device as it shown in the picture

## Ground Scan System

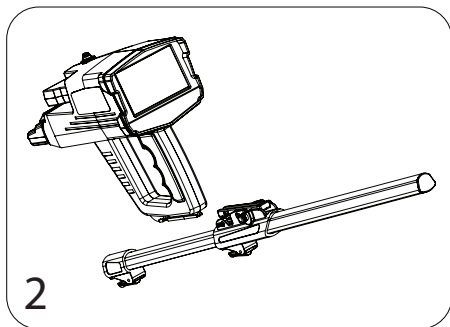


- 1 Attach the medium pipe inside the higher pipe.
- 2 Assemble the scanner and the lower pipe using the specific screw and nut.
- 3 Attach the battery to the hand holder so that the battery clip is in its specific place
- 4 Connect the scanner cable into the connector base
- 5 Put the device on the holder as it shown in next page
- 6 Connect the battery to the device

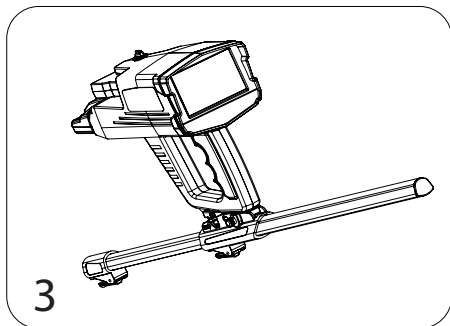
## Attach the main unit on the holder



1 Prepare the main unit and the stack unit



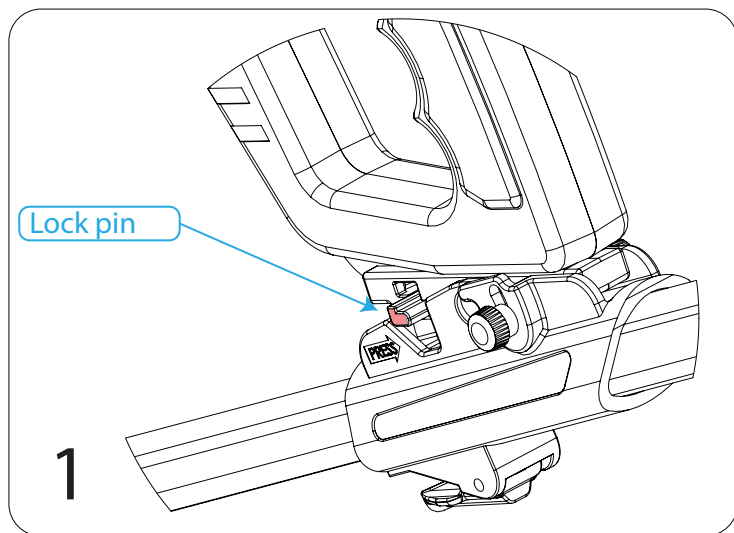
2 Fit the main unit and the holder rail as Parallel position



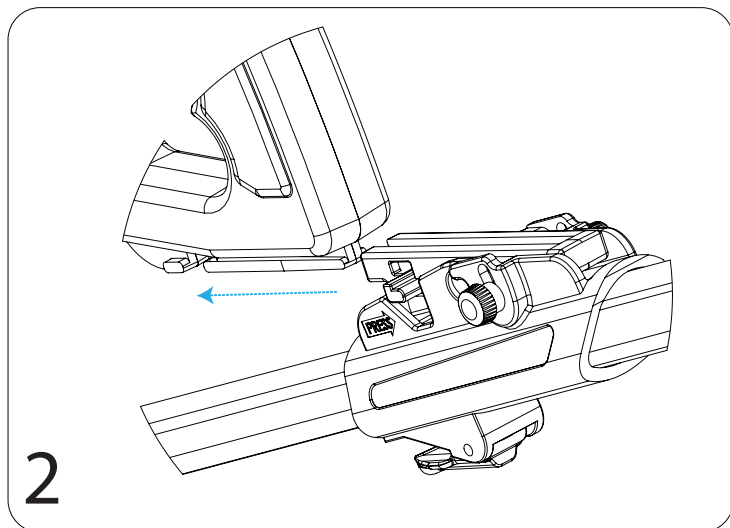
3 Put the main unit into the rail until you hear a sound come from the lock pin

## De attach the main unit from the holder

- 1 Press the Lock pin on the holder

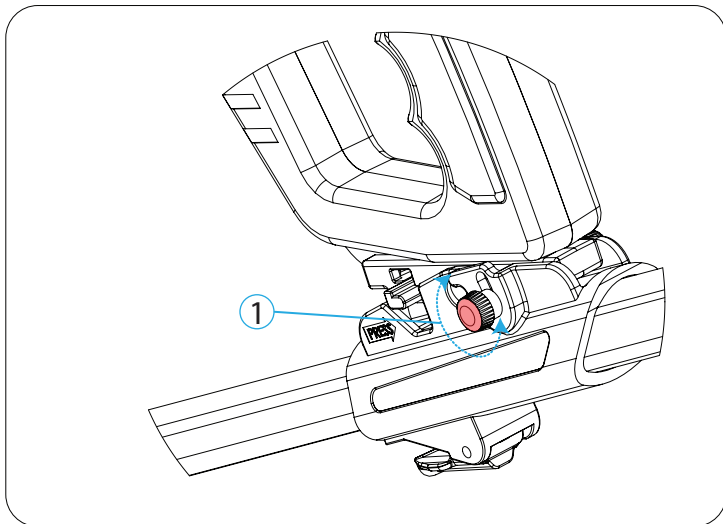


- 2 Pull the main unit to front side

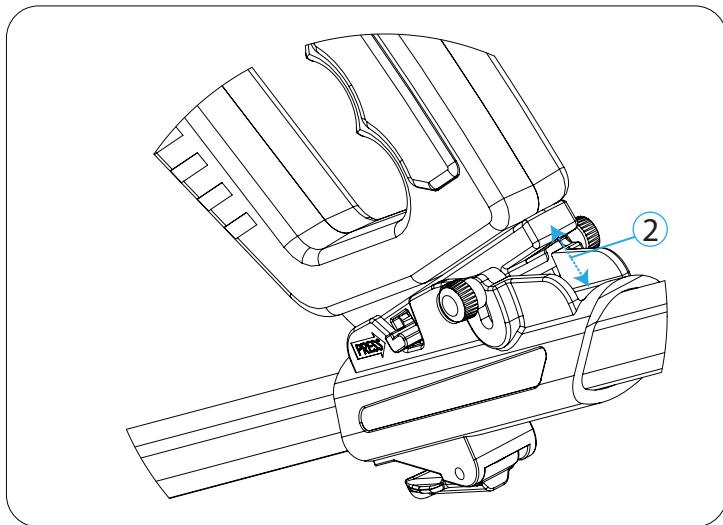


To fit the view degree of main unit on the holder, there is an option users can use. This option helps to fit device position on holder that users can see the display screen as well as possible.

- 1 Unscrew the screw on the holder counter clockwise



- 2 fit the main unit as the preferred degree and Close the screw again





1.  Power Key

2.  Back Key (Backward)


3.  OK Key

4.  Home Key




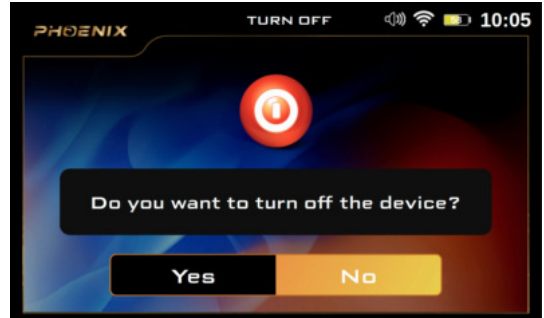
5. Control Settings Arrow Keys (Right - Left - Up - Down)

## Power ON

To power on the main unit, connect the battery to the main unit then power on the battery by pressing one time on battery power button, then press on  on the main unit.

## Power OFF

To turn off the main unit, just press the power key , when confirmation message appears, choose "Yes" to confirm, or "No" to cancel. after power off the device press two time on battery power button to power off the battery.




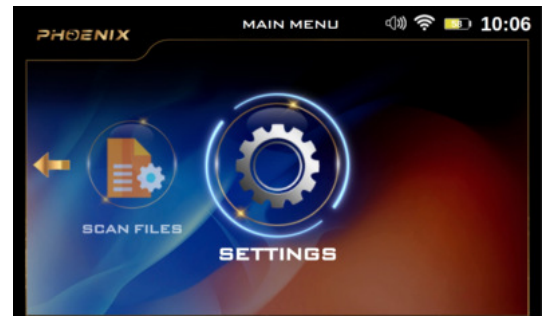
## Adjust Settings

You can set the device setting by selecting Settings from the main menu

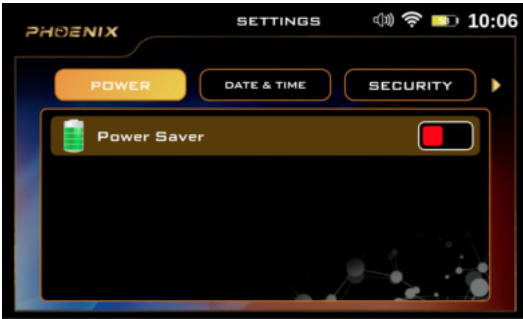


You can choose other options in the screen using   arrows

Go on setting icon and press 



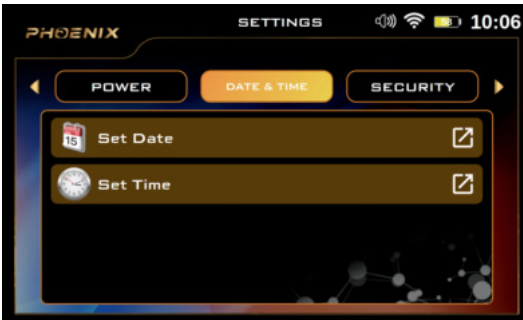




## POWER

Use this option to save power when using the device.


With this option, the battery life can be increased by at least 50% , it depends on the search system and the type of connected probe







## DATE & TIME

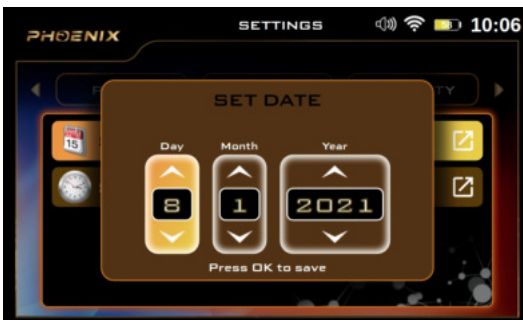
### Date


1. Use the left/right   arrows

To select "date & time" item then press 





2. Use top/ down   arrows to select "Set Date" then press 

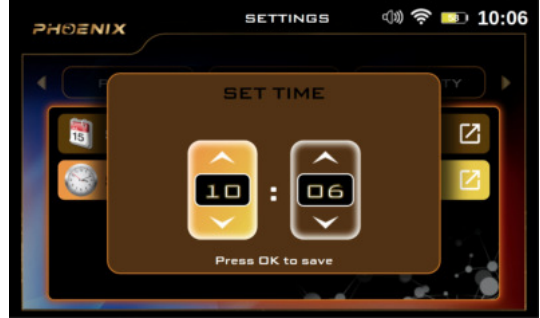
3. In this window use arrows to select the Correct date then after setting each one Press  to save




4. After adjusting the setting press  back on device controls key


## Time

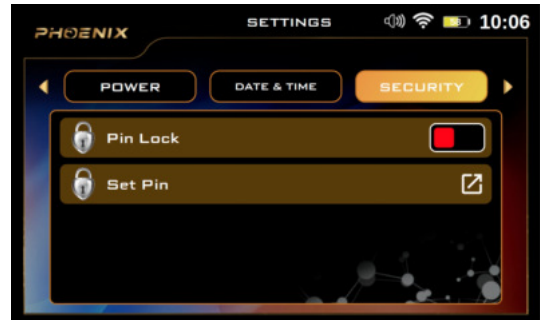
1. While you are in date and time setting menu use top/ down   arrows to select "Set Time" then press 
2. In this window use arrows to select the correct time then after setting each one press  to save



After adjusting the setting press  back on device controls key

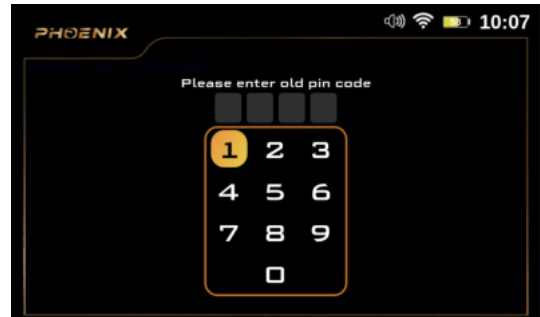
## SECURITY

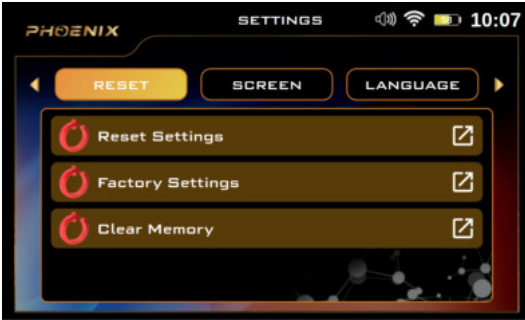
To activate the device's security settings, you must click on the security lock  option within the security settings.



After activating the previous option, the security lock code can be set by the "Set Security Code" option.

When operating the device for the first time, the device will ask you to enter the security code (device password), which you get from the manufacturer or through the authorized distributor of the device in your country. The security lock option can be locked in the device so that the device does not require the entry of the code after each operation





## RESET

You can use this menu to reset the device Settings.

There is three type of resets

### 1. Reset settings:

By using this option all settings in The device will back to the default Settings, but the you will keep the Information saved in the memory

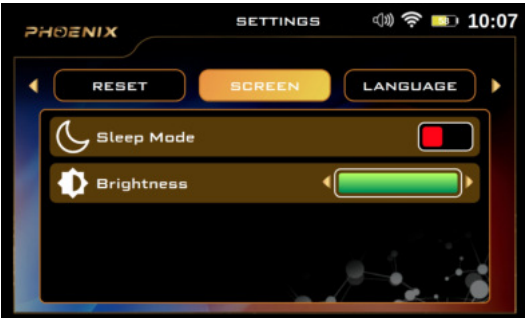
### 2. Factory Settings

With this option, all settings in the device will revert to the factory defaults and the memory data will be erased

### 2. Clear Memory

By using this option the memory Data will be erased

After selecting the reset option, a confirmation window will appear. By clicking "Yes" in this window, the reset will be done.



## SCREEN

you can control screen settings using this menu.

### Sleep Mode:

By turning on this option, the device's screen will go to sleep in the absence of any activity.

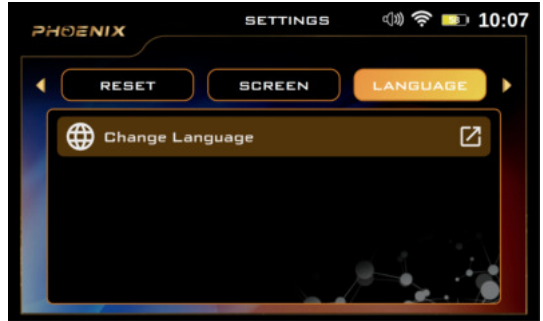
### Brightness

user can control screen brightness using this option.

**LANGUAGE**

The device software interface is available in 12 languages, namely:

1. English
2. German
3. Spanish
4. French
5. Italian
6. Russian
7. Turkish
8. Chinese
9. Hebrew
10. Urdu
11. Arabic
12. Persian



To change the language, the user has to go to the language tab, then choose "Change Language" using the Up / Down arrow keys, then press OK, then choose the preferred language using the Left / Right arrow keys, then press OK



**SOUND**

User can control the device's sound status using this menu.

**General Volume Level:**

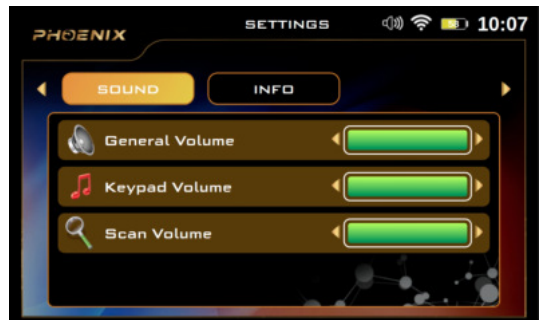
Use this option to control the sound of the whole device.

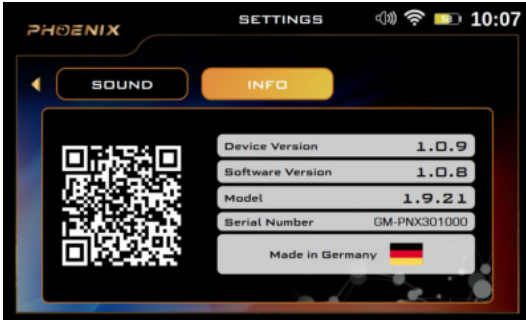
**Keypad Volume:**

Use this option to control the keypad sound volume

**Scan Volume:**

Use Up/Down arrows to select the sound setting you need to change and then press on OK then use Left/Right arrows to change the sound volume





## INFO

This screen includes all device information

1. Device Version
2. Software version
3. Device Model
4. Serial Number
5. Country of manufacturer

## GROUND SCAN

The ground scan system is a completely new system in new Mega Detection devices with new and improved technology.

This system helps the user to scan the ground and create a 2D visualization on the device screen or 3D visualization on any supported android tablet via Multi Visual Analyzer app.

This system can make searching and finding burials and underground cavities such as tunnels and basements easy for the user, with greater speed and accuracy.

### Select the system

To start using ground scan system, select this system from the main menu.

#### Notice

Immediately after entering any search system from the main menu, A video will appear which notify the device's assembly steps. In case of any mistake in the assembly or installing a wrong part that does not fit the selected system, a warning video will appear on the device's screen regarding the exact error



After selecting the "Ground Scan" system from the main menu, a new screen will appear to select the device on which the results will be displayed.

There are two options: "Device" and "Tablet".

Selecting "Device" in this list means that the user can see results directly on the device screen.

Selecting "Tablet" in this list means that the user can see the result on the tablet device that came with the device that includes Multi Visual Analyzer application to display the results visually



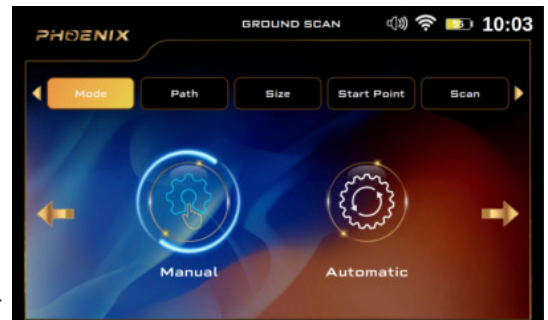
### Setup to Display Results On Device Screen

#### Mode

On this screen the user can choose the scan mode and there are two options:

#### Manual Mode

the user performs the scanning process manually, that is, he records measurements manually at each scan point



## AUTOMATIC MODE

In this case, the device will automatically scan the points without user intervention, as it scans the points automatically with an interval between each point. User only has to press on start button at start of next scan line.

To choose the appropriate scan mode, use the Left / Right arrow keys, then press the OK key



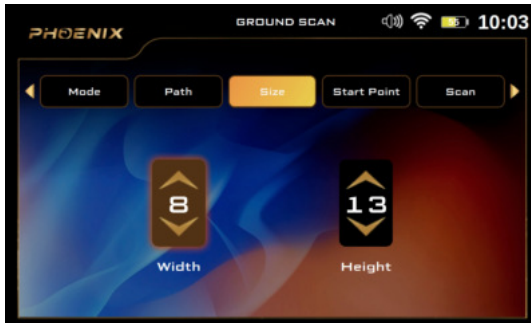
### Path

On this screen, the user can specify the direction of the scanning path, which includes two options:

1 - One Direction: the ground scan is performed for each line with the same direction, i.e. the direction of the scan is according to parallel lines and a distance between them

2 - Zigzag: In this case, the start of the next scan line is at the end of the previous scan line (while leaving an offset distance), meaning that every two successive lines are scanned in an opposite direction.

Select your preferred scan path mode using the Left / Right arrow keys, then press the OK key



### Size

The user can choose the dimensions of the scanning area using this screen, which are:

#### Width (Lines)

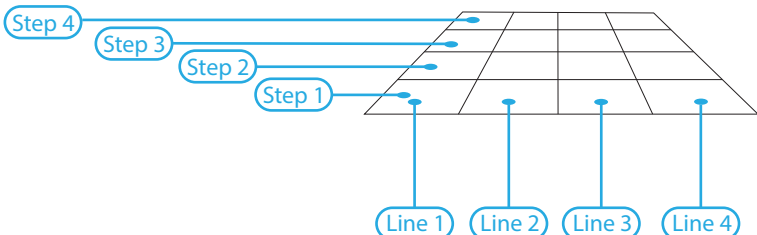
It is the number of scan lines and can be set using the Up / Down arrows, then press the OK key

#### Height (Steps)

This number expresses the number of scanning steps or points for each line, and it can be changed by using the Up / Down arrows and then pressing the OK key

To understand the difference between lines and steps, look at the following figure:

When the user stands straight in the search area, every step he takes forward is called a scan point or step, and every time the user moves to the left or right, it is called scan line, meaning he moves to a new scan line.

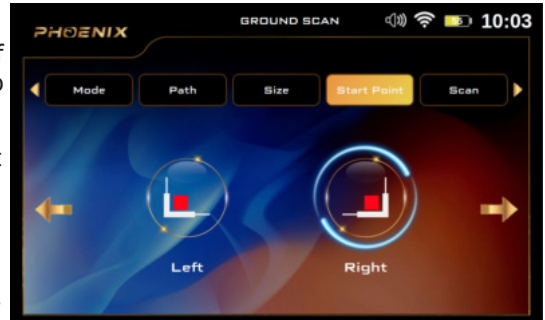


## Start Point

Here the user can specify the starting point of the scan within the area and there are two options:

**Left:** The start of the scan is in the lower left corner of the scanning area

**Right:** The start of the scan process is from the lower right corner of the scanning area  
The location of the starting point can be selected using the Left / Right arrow keys, then pressing the OK key



## Scan

After completing all the previous settings, the user will see a screen showing the settings chosen through the previous steps. You can press the button at the bottom of the screen "Press OK to Scan" to actually start the scanning process.



## How to Use

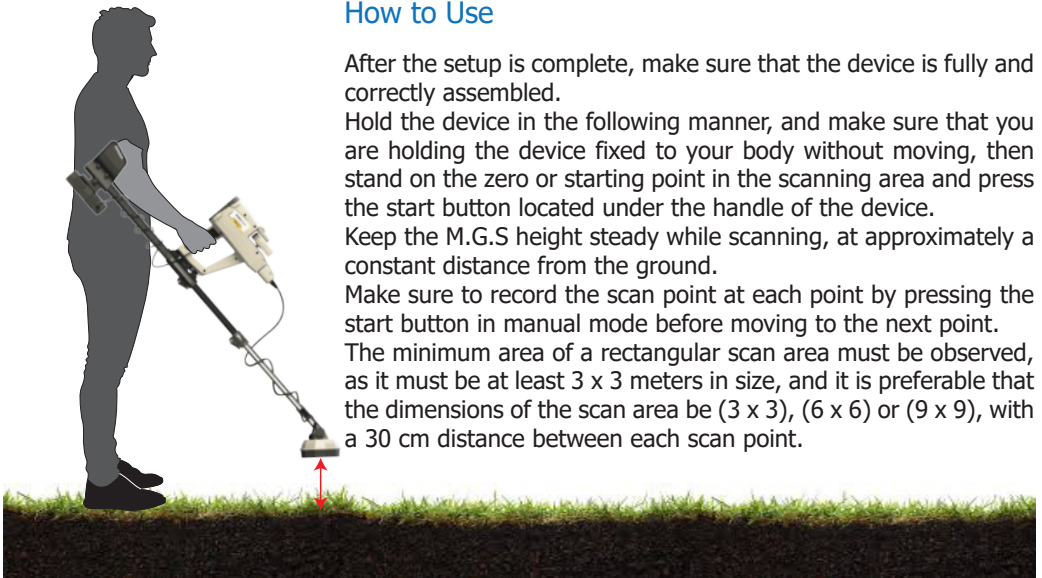
After the setup is complete, make sure that the device is fully and correctly assembled.

Hold the device in the following manner, and make sure that you are holding the device fixed to your body without moving, then stand on the zero or starting point in the scanning area and press the start button located under the handle of the device.

Keep the M.G.S height steady while scanning, at approximately a constant distance from the ground.

Make sure to record the scan point at each point by pressing the start button in manual mode before moving to the next point.

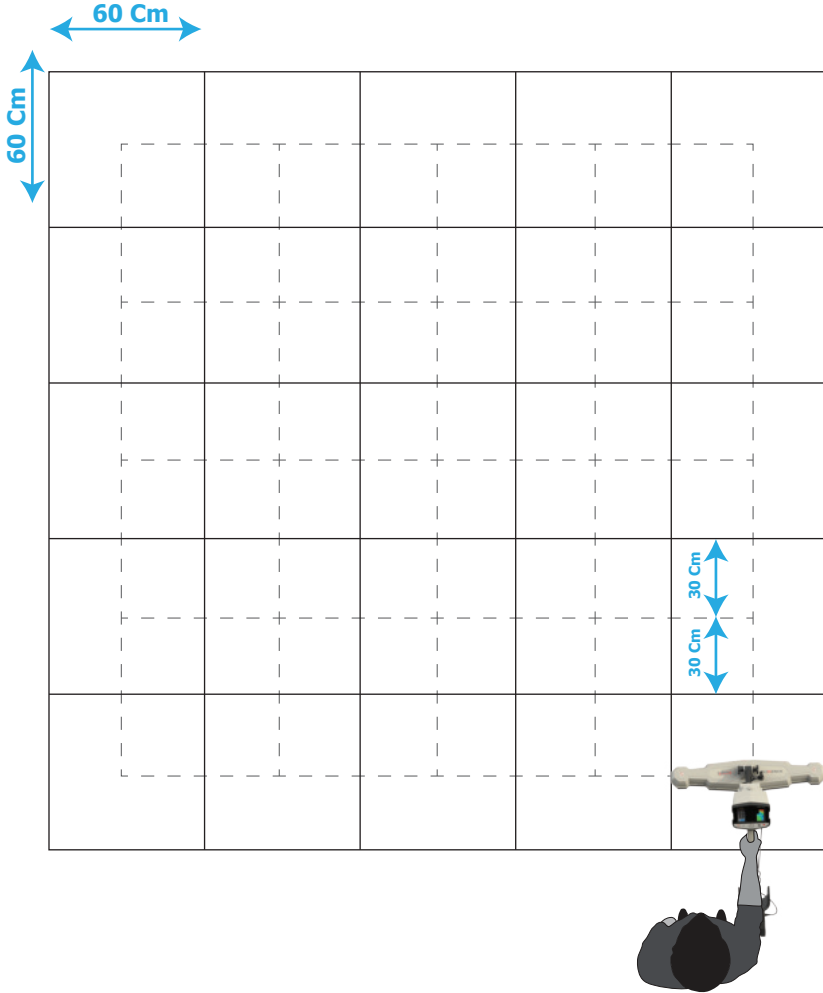
The minimum area of a rectangular scan area must be observed, as it must be at least 3 x 3 meters in size, and it is preferable that the dimensions of the scan area be (3 x 3), (6 x 6) or (9 x 9), with a 30 cm distance between each scan point.





## GROUND SCAN

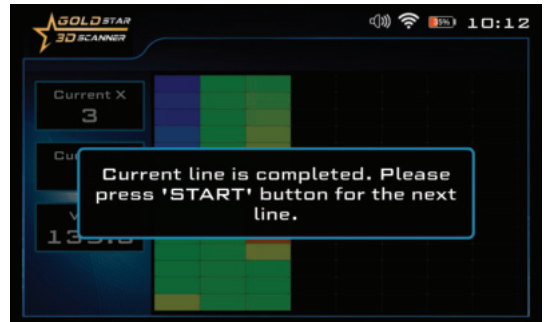
If there is an uneven area of land, first clean the area and arrange it as flat as possible before performing the actual scan.  
Continue scanning step-by-step according to the scanning path you selected, (One Direction or Zigzag)



After each line of the scanning process is completed, you will see an alert on the screen which means you have to start a new scan line.

Change your position to the beginning of the next line and then press the start button located under the handle of the device.

On the screen appears a window that includes a grid of cells according to the number of lines and steps previously set.

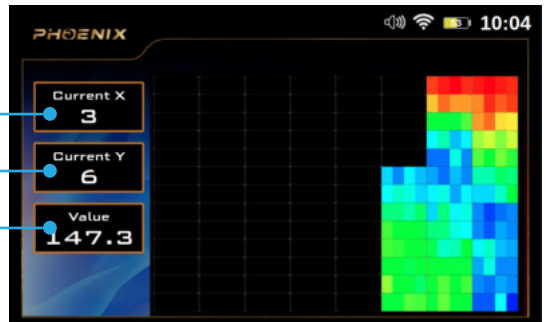


In the right pane, you can see information about the current step, current scan line and a numeric value of the probe during the scanning process

Line No

Step No

Search Value



When the scanning process is completed, you will see an alert on the screen stating that the scanning process is complete, press OK to exit

During the scanning process, you will see the color change of each cell of the grid according to the current scan point according to different colors. The user can know whether there is a target under the scanned ground or not by the color of each cell.

### Notice

In Ground scan system, the device was provided with a special technology, which is the possibility of full control of scan process through the Multi Visual Analyzer app. for more information follow Multi Visual Analyzer description on this user manual



**Green:** normal natural ground



**Light Blue:** a small cavity



**Blue:** a large voids like a tunnel



**Yellow:** a small piece of metal object



**Red:** gold or large pieces of metal target

## Scan Files

The device includes a memory to save scan results as files.

This means that the user can open a previous scanning process and re-display and analyze the results at any time, even when the device is not in the original scanning area.



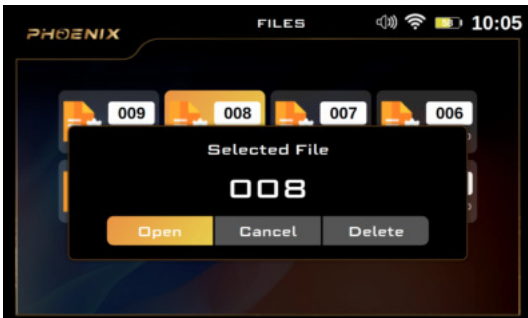
### Select the system

You can choose the "Scan Files" option from the main menu, then press the OK key, and a new screen appears.



This screen includes a list of all the saved files that you can open and review.

Use the arrow keys to select the saved file, then press OK



Every time the user selects a file, a popup window appears with three options:

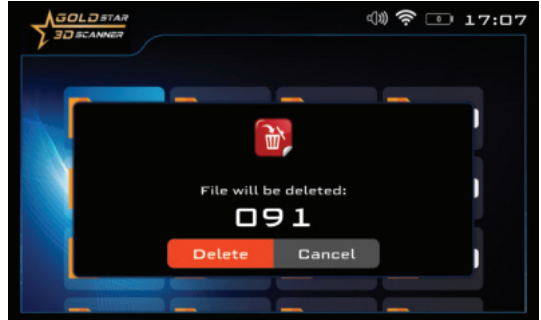
**Open:** Select this option and then OK to open the saved file

**Delete:** Select this option to delete the current file

**Cancel:** Select to cancel opening the file and return to the file list.

### Delete File

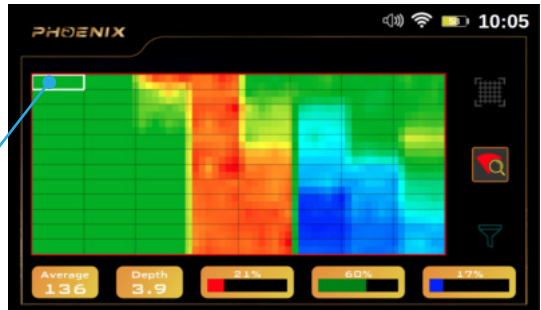
In case of selecting delete from the options the next view will appear. user can confirm delete presses using this window.



### Screen Grid

This option shows or hides the grid lines that represent the scanning area, where each cell represents one scanning step (scan point)

Selected Tile



### Choose a Cell From The Grid

Use this option to select a specific cell from the scanning area grid within the scanning results screen.

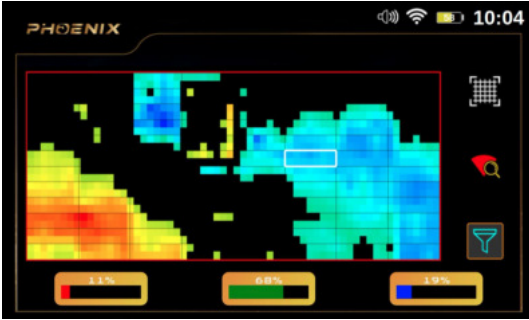
After clicking on the search icon, use the arrow keys on the keyboard to select a specific cell.

To return to the scanning tools, press the back button



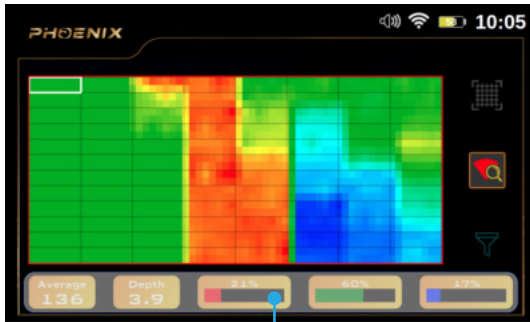
#### Notice

The user can press the start button on each cell to display the exact result value for each of the M.G.S 60 built in sensors on result screen.



**Color Filter**

Use this option to hide or show the green color (presenting normal ground), and this is useful for showing useful areas of the scan area that include metal targets or voids.



At the bottom of the scan results screen, an information bar is displayed that includes several text fields that display information about the selected cell from the grid, making it easier for the user to analyze the results.

**Color Ratios:** the three-color bars (red - green - blue) represent the percentages of each target type within the specified cell from the scan area.

**Average:** This field represents an average value of all values in the detected points.

**Depth:** When the selection is made on the cell, the depth value will appear in the lower information bar, and the user can see the depth in each cell with this option. On the other hand, this value represents the depth value in the selected cell on the results screen.

## Live Stream System [LIVE STREAM]

A live stream is a system developed to detect various ferrous and non-ferrous metals in real time (real time), that is, in the form of a direct transmission with a direct visual representation of the signal according to a specific color that reflects the nature of the target, for example, precious metal, gold or tunnel.

The signal measurement process or the scanning process is done by the V.S.T (Vertical High Signal Transceiver) unit, which is a probe at the end of which there is a quadrilateral cone on both sides there are bars consisting of many light-emitting diodes or LEDs that change their colors according to target type that is, depending on the target that the V.S.T probe is passing over at this moment, for example, the LED lights will light up in blue when passing over a cavity or space such as a tunnel and light up red when passing over a precious metal such as copper or silver etc.

The signals captured by the V.S.T probe are represented on the screen of the device as a continuous color stream that changes colors according to the type of potential target. Similarly, the color will be red when capturing a precious metal signal, green for the ground, blue for the cavity ...

In conjunction with the color changing indicator, the device will make a sound tones according to the type of target whose signal was captured.

Also, the user can see a visual representation of the signals captured on any supported Android tablet via Multi Visual Analyzer that displays the signal plot in a graph and the color of the graph will change in a similar way depending on the nature of the signal, that is, the type of metal or target.

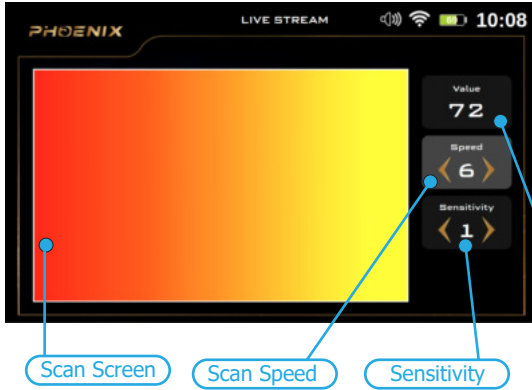


### Select the system

To start using, select Live Stream system from the main menu and then press the OK key

#### Notice

Immediately after entering any search system from the main menu, A video will appear which notify the device's assembly steps. In case of any mistake in the assembly or installing a wrong part that does not fit the selected system, a warning video will appear on the device's screen regarding the exact error

**Notice**

Use the Scanner Speed option to speed up / slow down the sensor scan speed. To use it after changing , press the start button of the device to set it

Scan value

Scan Screen

Scan Speed

Sensitivity

## How to Use

After the setup is complete, be sure to assemble the device exactly as shown in the assembly part of this manual. When setting up complete point the VST sensor vertically on the ground and start the scan process. Make sure that there are no metal objects in your shoes and keep the distance between the probe and the ground constant. Also, during this procedure, the V.S.T Sensor should point vertically towards the ground, it should not rotate or pivot or even swing. During the operation you will see the color change in the device screen and according to the color change, the user can know whether there is a target underground or not.

On the right side of the screen, there is 3 boxes which are:

**Value:** It directly indicates the value of the signal captured by the search sensor. The colors of the indicator change according to the change of these values.

**Speed:** Use the scanner speed option to speed up / slow down the speed of the sensor scan, any change in the speed will ask the user to press the start button to apply the new changes.

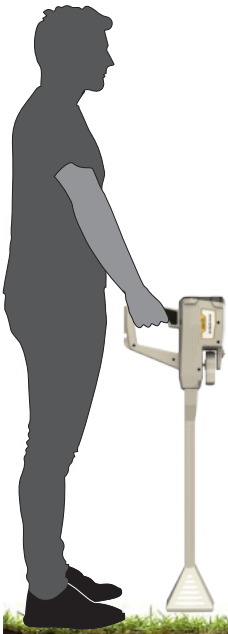
**Sensitivity:** Use the sensitivity option to increase or decrease the sensitivity of the search sensor. Any change in the sensitivity will ask the user to press the start button to apply the new options.

During the Live Stream, the LED lights on the head of the V.S.T probe display the same color as the screen display, making it easier for the user to focus on the scan process instead of looking at the screen. The following is a description of the connotations of different colors:



### Notice

In Live Stream system, the device was provided with a special technology, which is the possibility of full control of scan process through the Multi Visual Analyzer app. for more information follow Multi Visual Analyzer description on this user manual



**Green:** normal natural ground



**Light Blue:** a small cavity



**Blue:** a large voids like a tunnel



**Yellow:** a small piece of metal object



**Red:** gold or large pieces of metal target



## PIN POINTER

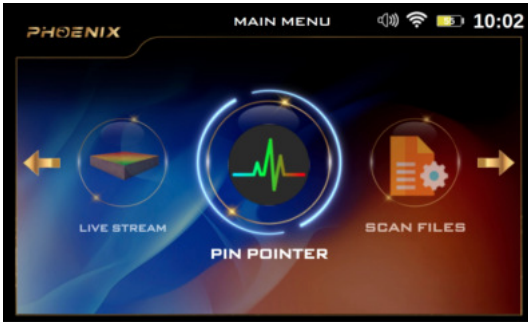
This system is used to determine the presence of a metal target or cavity with the precise identification of the location in which the metal or buried cavity is located through a sound or graphic displayed on the screen or visual representation on the tablet.

The scanning process is conducted for potential targets via the V.S.T probe, but with the selection of the Pin Pointer System.

### Select the system

To get started, select Pin Pointer System from the main menu and press OK

After the selection, a Pin Pointer system screen will appear, which includes the following elements:



### Notice

Immediately after entering any search system from the main menu, A video will appear which notify the device's assembly steps. In case of any mistake in the assembly or installing a wrong part that does not fit the selected system, a warning video will appear on the device's screen regarding the exact error



### Sensitivity

During the search process and according to the target scan, the device will make a special sound tone with a graphical presentation on the screen that represents the presence of the target underground.

User can change the sensitivity value at any time to control the output sound and visualization on screen.

### Calibration

User can use this option to calibrate the probe sensitivity at any time according to the type of ground and the condition of the area to be scanned.

### Reset

Use this button to return the calibration to the default value.

## How to Use

After the setup is complete, Point the head of the V.S.T probe vertically to the ground and begin to scan the ground.

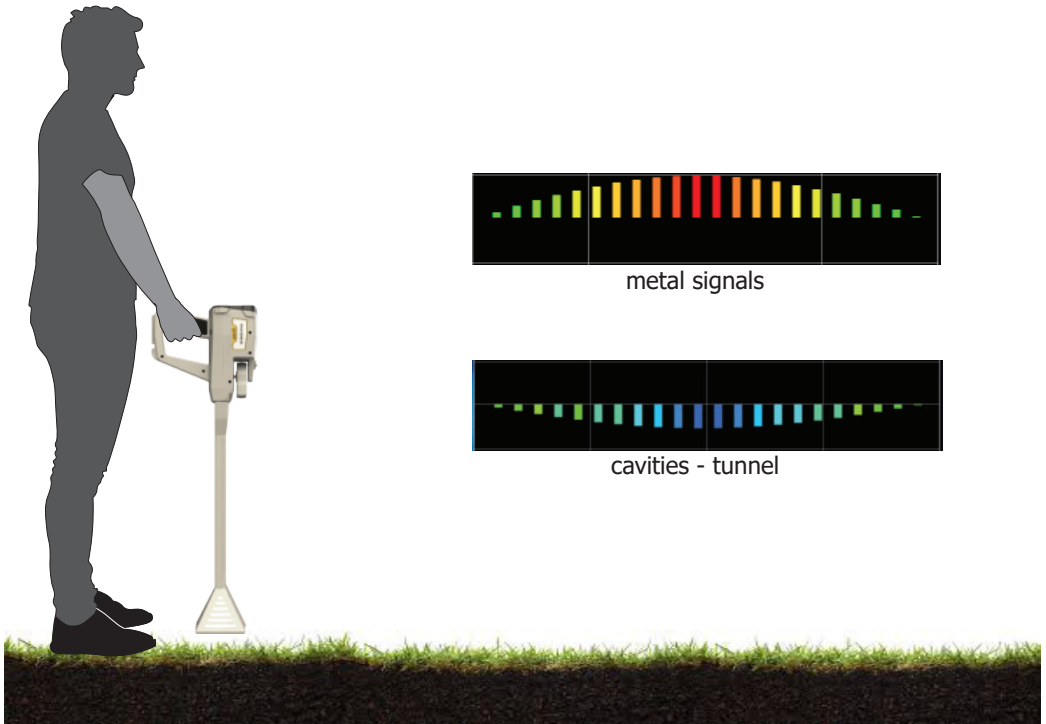
Make sure that there are no metal objects in your shoes and keep the distance between the probe and the ground constant.

Also, during this procedure, the V.S.T probe should point vertically towards the ground, it should not rotate or pivot or even swing.

On the screen of the device, a bar graph is displayed that appears in green in the case of a natural ground, in the case of receiving metal signals, a graph which includes rectangles with different lengths will appear on top of horizontal center line

In the case of receiving underground cavities signals - such as a tunnel - they consist of rectangles facing downward of horizontal center line, of different lengths going to dark blue color.

On the screen of the device, some values that affect the scanning process can be controlled, such as sensitivity and calibration value.



## Multi Visual Analyzer

### Introduction

One of the powerful options which is coming with new Mega Detection devices is the Android application. This application can show and analyze the scan result on the tablet or your mobile phone.

To start using Multi Visual Analyzer app you have to connect the tablet to the device.

Step 1: open settings on the tablet

Step 2: open connections Item

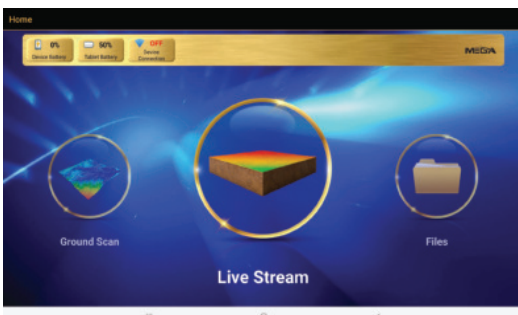
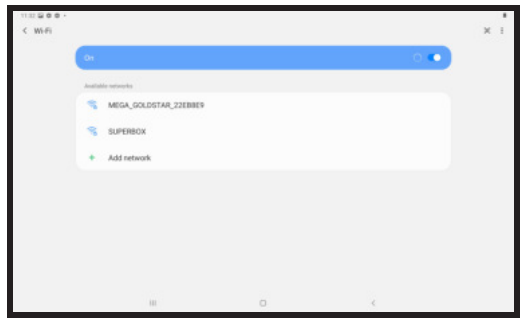
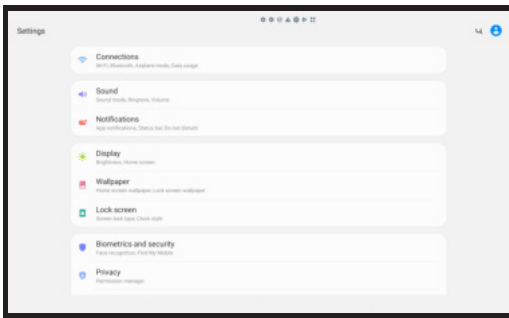
Step 3: open Wi-Fi from the list

Step 4: Select MEGA\_PHOENIX\_##### from the available networks

Step 5: Enter this password: **phoenix3d**

Step 6: open Multi Visual Analyzer app in tablet

note: if all 6 steps above done correctly you will hear a voice coming from the tablet saying: "CONNECTED SUCCESSFULLY"



Multi visual analyzer application contains 4 options as below:

1. Ground scan
2. Scanned Files
3. Live Stream
4. Settings

### Ground Scan

After selecting this item from the main menu the Mega Detection device screen will change like the picture below. Which is view the ground scan settings you are setting up in the application. And in the application screen you will see the below screen which includes six boxes to set before starting the scan job.

**A.Width**

It is the number of scan lines and can be set using the Up / Down arrows

**B.Height**

This number expresses the number of scanning steps or points for each line, and it can be changed by using the Up / Down arrows

**C.Step Duration**

When user is using automatic mode for scan mode, this option determines the time interval between two points

**D.Start Point**

This option determines that after each line complete user has to move to which side (ex. use left if you want to move to left side after each line complete)

**How to use**

After complete settings press on Start Scan. Follow ground scan-how to use in this user manual for scan job

**Notice**

if the M.G.S.60 is not connected to the device you will see notification that you need to install is first.

If user choosed auto scan mode in settings, after each scan line will see the below alert.

To continue scan user has to move to next line and prees on Next Line button.

When user stop scan process an alert will appear which notify if you want to stop scan process.

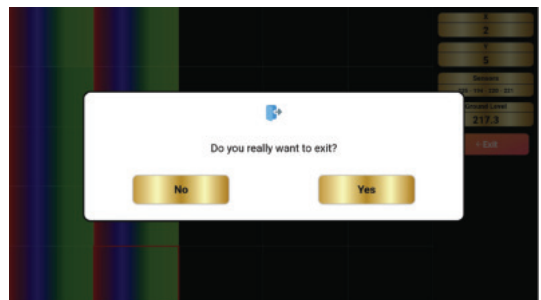
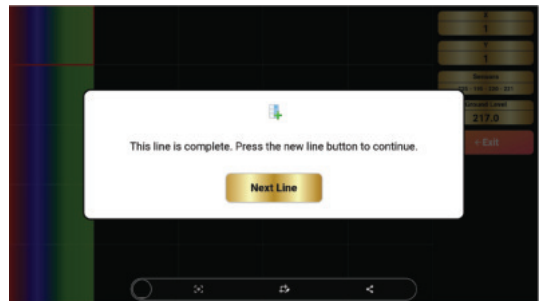
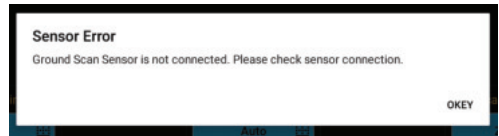
By confirming this alert, scan view will ends and scanned file view will open (description for this view will come next)

**E.Scan Mode**

Here you can choose that you want to scan any point by pressing the Start button or you want the device to perform the scan automatically with the interval that is mentioned in part C.

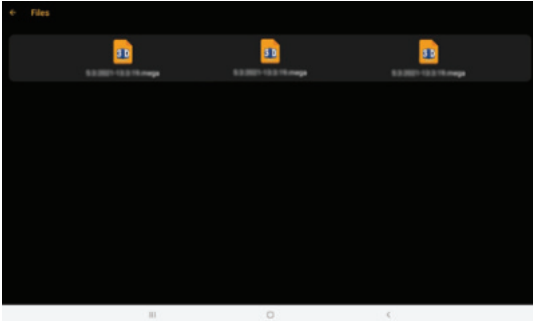
**F.Scan Pattern**

This option includes two items (parallel & zigzag). User can choose which kind of pattern want to use during scan.



## Files

After each ground scan job a file will create which includes all data about this job. This file is saved inside the device memory so when user open the scanned file within the android device the App will load this file(s) directly from the device. Using the android app for analysing this job is more powerfull and it gives the user to filter and measurement the result data easier. After selecting Files in main menu, a list of all saved scan files will appear. Touch on the file you need to analyze fo open it. As you see in the picture below.



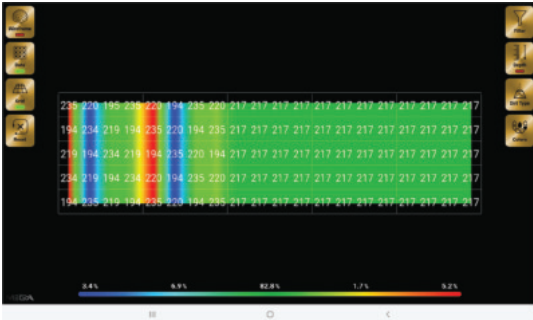
Select any file you want to analyze from the files list , after opening any of the avaiable files , you can see the below screen which includes 8 options .

## Wireframe

By pressing on this button, you can enable/-disable the wire frame mode for the 3D graph.

## Data

Use this button to show / hide value data for each point on the 3D graph



## Grid

In case of user want to see each scanned point seperated, pressing on this button will draw a 2D graph which makes easy to seprate the scanned points.

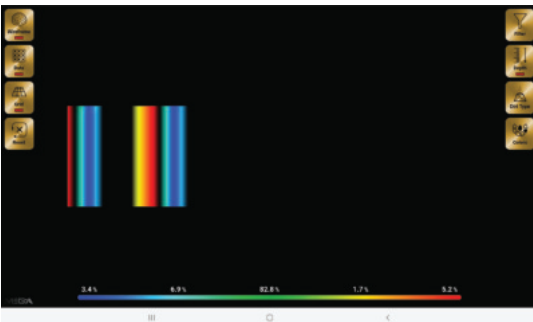
## Reset

Use this option to reset the 3D view

## Filter

Use this optin to remove unnesecery colors(Green) from the 3D graph which it leaves the blue and the red colors.

Note: The color green represents ground without mineral or cavity value.



## Depth

Use this optin to enable/disable depth value for each point on the 3D graph.

### Dirt type (Soil Type)

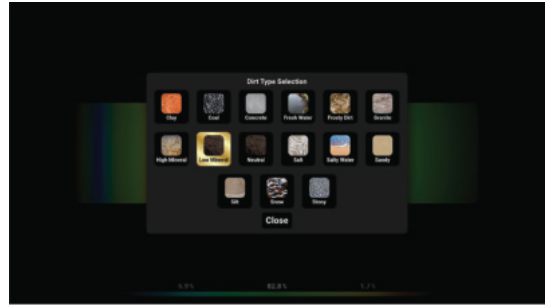
To make the depth value exact , you need to choose the type of the land soil by using this option.

### Colors

User can change the 3D graph colors using this option.

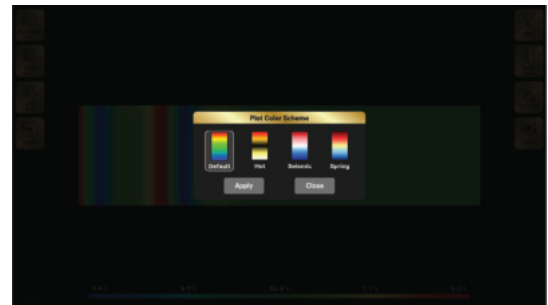
### Start Scan

After Setting completes a screen with all selected options will appear on the device screen.



#### Notice

complete explanation about 3D ground scan comes in this user manual – Ground Scan section.



### Live Stream

After selecting this item from the main menu the Mega Detection device screen will change like the picture below.

#### Notice

If the V.S.T probe is not connected to the device you will see notification that you need to install is first.

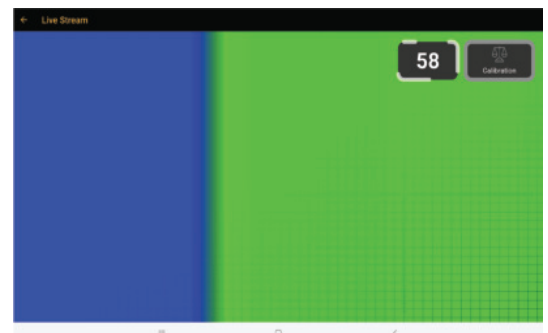


This screen includes three items.

**1. Live Stream view:** this view is showing the live stream result. Description about this view and colors in this box was coming in this user manual- Live Stream- How to Use.

**2. Box for Live Value:** in this box you can see the live signal captured by the V.S.T probe.

**3. Calibration:** use this button to calibrate the sensor sensitivity.

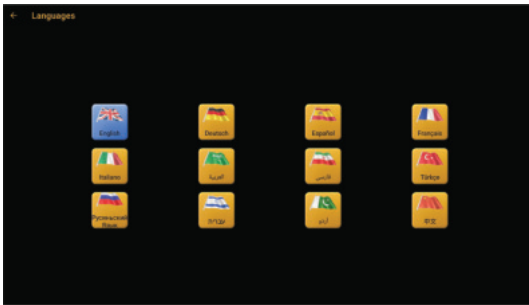


## Settings

Click on Settings icon in the main menu to open settings screen, which includes the items below :



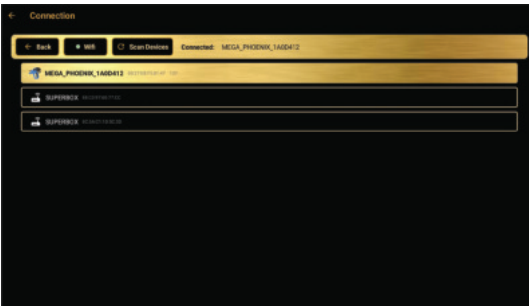
1. Language
2. Connection
3. Animated Background
4. About



### Language:

User can select favorite language using this option .You can see below the list of all available languages :

1. English
2. German
3. Spanish
4. French
5. Italian
6. Russian
7. Turkish
8. Chinese
9. Hebrew
10. Urdu
11. Arabic
12. Persian

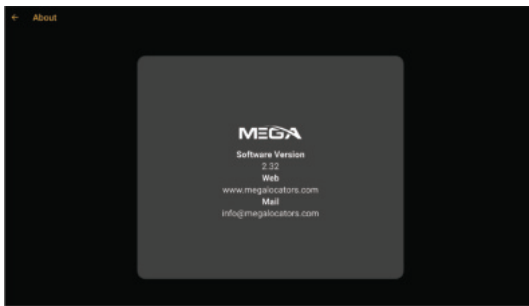


### Connection:

Normally when the device is turned on, and user open the application on the Android device, a connection between both the device and the app will be established, but if not happened because of any reason, user can do it manually by using Connection item in the settings menu.

### Animated Background

There is two different background types (Animation – Static ) in the main menu that user can select it By enabling animated background using this option, you will see animated background in the main menu.



### About:

This item includes short information about the Mega Detection company.

## Customer Services

- All devices attached to the device are interchangeable by region and the customer center responsible for the service.
- You cannot apply the elements designed for this device with other devices.
- The user can obtain all auxiliary parts through GMI distributors after ensuring compatibility with the device. Sales and maintenance services are only available at GMI accredited centers. GMI is not responsible for the warranty or maintenance of any damage arising out of the use of accessories from other sources.
- You can get all information related to the use of the device and auxiliary parts by visiting the company's website.

The product or service guarantee will not be extended in the following cases:

1. If the product has been repaired, modified or changed, unless such repair, modification or change is authorized by MEGA DETECTION
2. If the product serial number is deformed or missing.



Specifications

Package	Package Dimensions	68 x 51 x 28 cm
	Package Weight	17 Kg
	Material	ABS Plastic
CPU	Processor Type	ARM 64 Bit
	Processor Frequency	1.4 Ghz
Memory	Storage Memory	32 GB
	Memory Type	SD Card
Screen	Screen Type	High Resolution TFT LCD
	Screen Size	5 Inch
	Screen Resolution	1024 x 860
	Colors	16 million
	Wi-Fi Connection	2.4 Ghz
Sound	Output	Speaker - Headset
	Jack Type	3.5 mm
	Headset	Wired Headphones
	Internal Speaker	Yes
Power	Battery Type	Lithium-Ion
	Battery Capacity	21000 mAh
	Fast Charging	No
	Removable Battery	Yes
	Languages	German – English – French – Spanish – Russian – Italian – Arabic – Hebrew – Persian – Turkish – Urdu - Chinese
Temperatures	Operation temperature	0°C – 40°C
	Storage temperature	-20°C – 60°C
	Humidity	5% – 75%



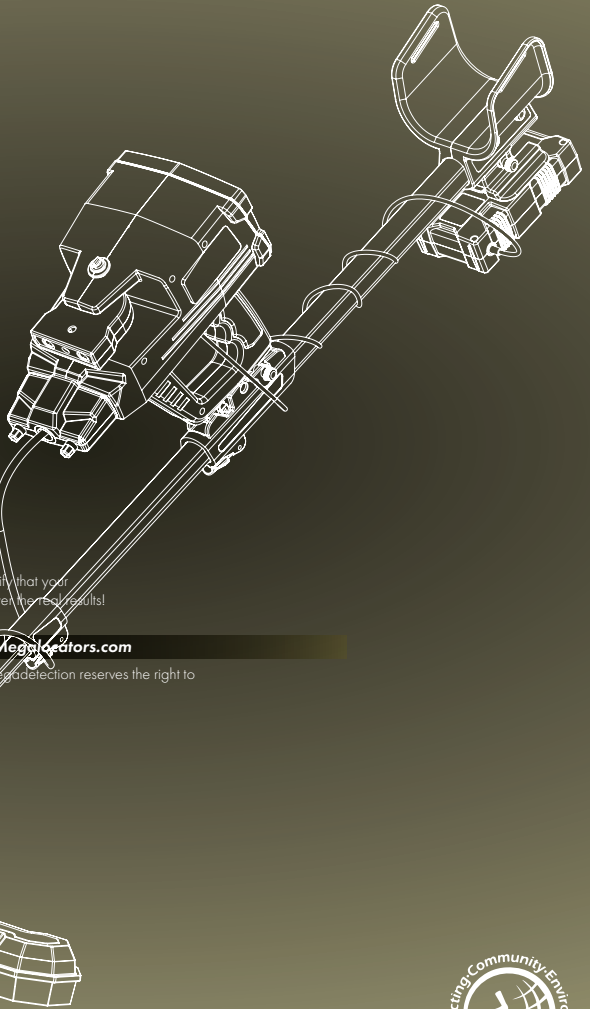
**MEGA**  
DETECTION  
METAL DETECTION TECHNOLOGY

**GMI** MEGA  
Geophysical Measuring Instruments

E-Mail : [info@Megalocators.com](mailto:info@Megalocators.com)  
[sales@Megalocators.com](mailto:sales@Megalocators.com)

Web : [www.Megalocators.com](http://www.Megalocators.com)

- You can buy this product from our distributors in all around the world
- You can visit our website to find the nearest distributor : [www.Megalocators.com/where-to-buy](http://www.Megalocators.com/where-to-buy)
- For product validation you can check the product serial number by the link below : [www.Megalocators.com/product-validation](http://www.Megalocators.com/product-validation)



# PHOENIX



Buy **PHOENIX**

The Warranty on the **Phoenix** can be used to verify that your detector is genuine. Only **Phoenix** detectors deliver the best results!

Verify your Phoenix detector online at [Megalocators.com](http://Megalocators.com)

Product information correct at time of printing. Megadetection reserves the right to introduce changes at any time.

# 3

## SEARCH SYSTEMS



GROUND SCAN



LIVE STREAM



PIN POINTER



The Most Powerful Gold And Treasures Technologies

